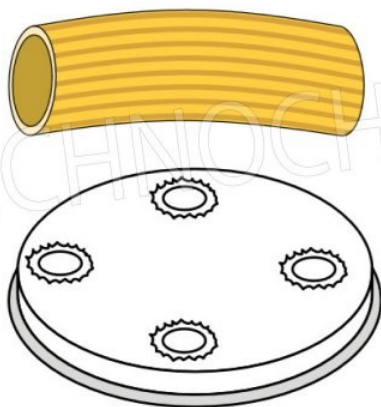




## MACCHERONI Ø 8,5




I disegni delle trafilie sono indicativi. Il numero dei fori cambia in base al modello della macchina.

### PROFESSIONAL DESCRIPTION

CODE	DESCRIPTION	PRICE/DELIVERY
<b>FM-ACRMPF33</b>	Brass-bronze alloy die for macaroni Ø 8,5 mm, for MPF8N model	<b>€ 64,13</b> <i>VAT excluded</i> <b>Shipping to be calculated</b> <b>Delivery</b> from 4 to 9 days

### TECHNICAL CARD

CODE/PICTURES	DESCRIPTION	PRICE/DELIVERY
<b>FM-MPF8N</b> 	<b>FIMAR - Professional EXTRUDED FRESH PASTA MACHINE, with 8 Kg bowl, pasta cutter and stand as standard, mod. MPF8N</b>	<b>€ 2.902,46</b> <i>VAT excluded</i> <b>Shipping to be calculated</b> <b>Delivery</b> from 8 to 15 days