



PROFESSIONAL DESCRIPTION

CENTRIFUGAL TRANSMISSION FANS with BELTS and PULLEYS for ASPIRATING BINS, RANGE in 4 models :

- centrifugal fan with double inlet blades forward without motor, built in galvanized sheet metal ;
- working environment temperature from -20 ° C to + 40 ° C.

CE marking
Made in Italy

AVAILABLE MODELS

AIF-SDT9/9



Centrifugal transmission fan with belts and pulleys for suction boxes

€ 158,58

VAT excluded
Shipping to be calculated

Delivery

AIF-SDT10/8



Centrifugal transmission fan with belts and pulleys for suction boxes

€ 175,18

VAT excluded
Shipping to be calculated

Delivery

AIF-SDT10/10



Centrifugal transmission fan with belts and pulleys for suction boxes

€ 170,72

VAT excluded
Shipping to be calculated

Delivery

AIF-SDT12/12

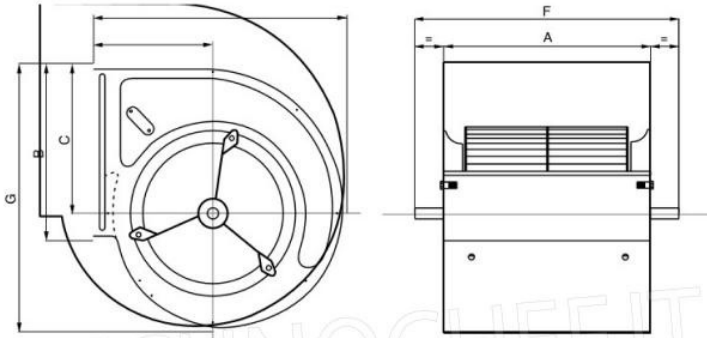
Centrifugal fan with belt and pulley transmission for suction bins

€ 222,08



VAT excluded
Shipping to be calculated

Delivery



Modello / Model	A mm	B mm	C mm	D mm	E mm	F mm	G mm
SDT 9/9	298	262	215	185	385	400	400
SDT 10/8	265	289	249	203	430	365	455
SDT 10/10	331	289	249	203	430	435	455
SDT 12/12	395	342	294	230	497	515	535